

TOP FRAME

DE Montageanleitung

ES Instrucciones de montaje

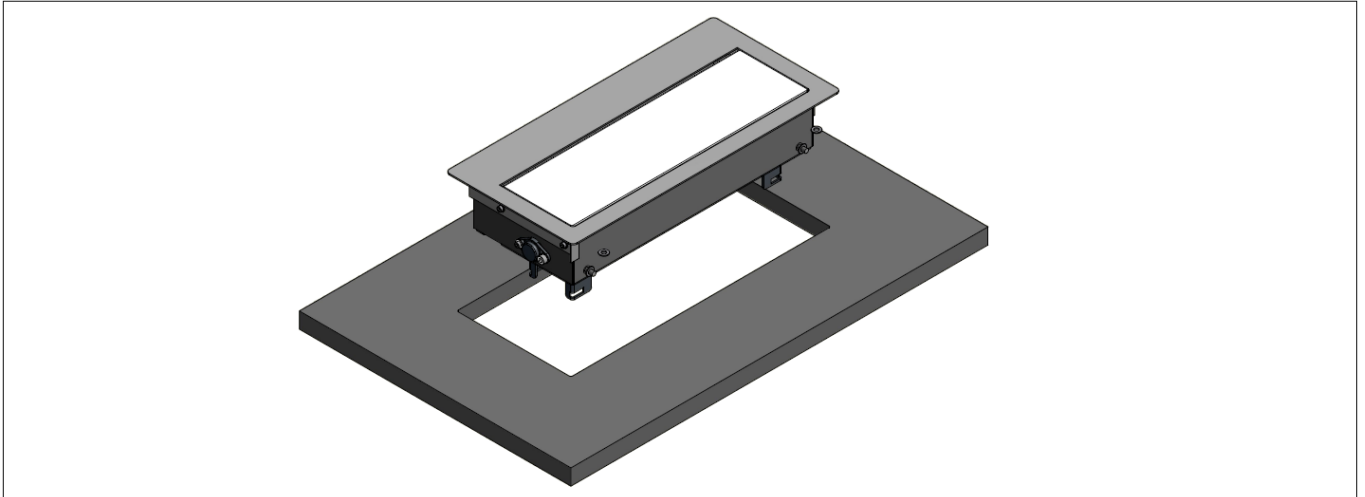
EN Mounting instructions

RO Instrucțiuni de montare

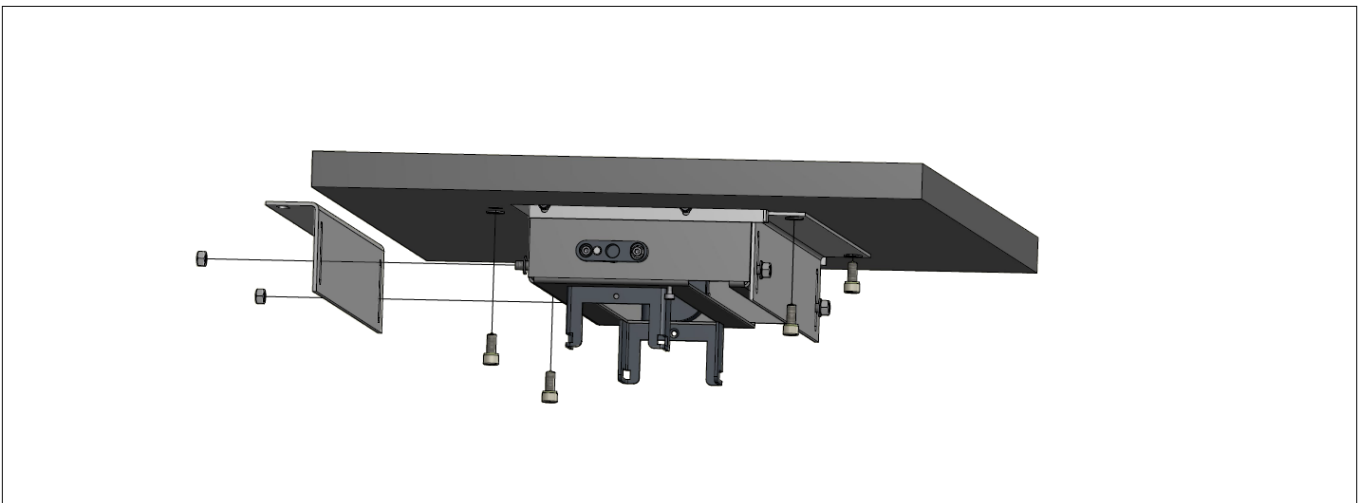
FR Instructions de montage

IT Istruzioni per l'installazione

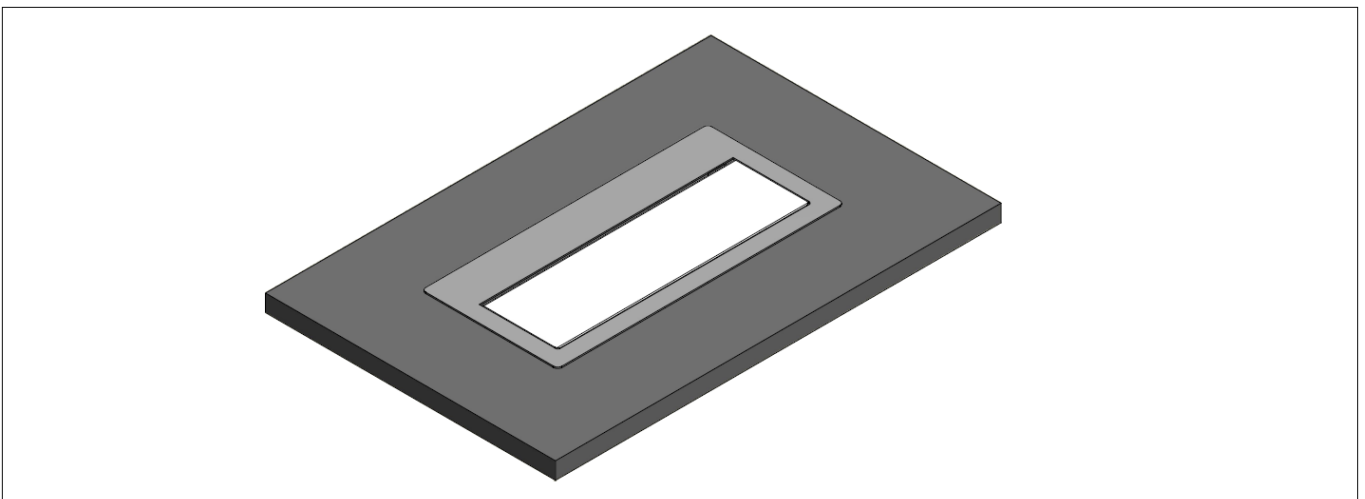
1.

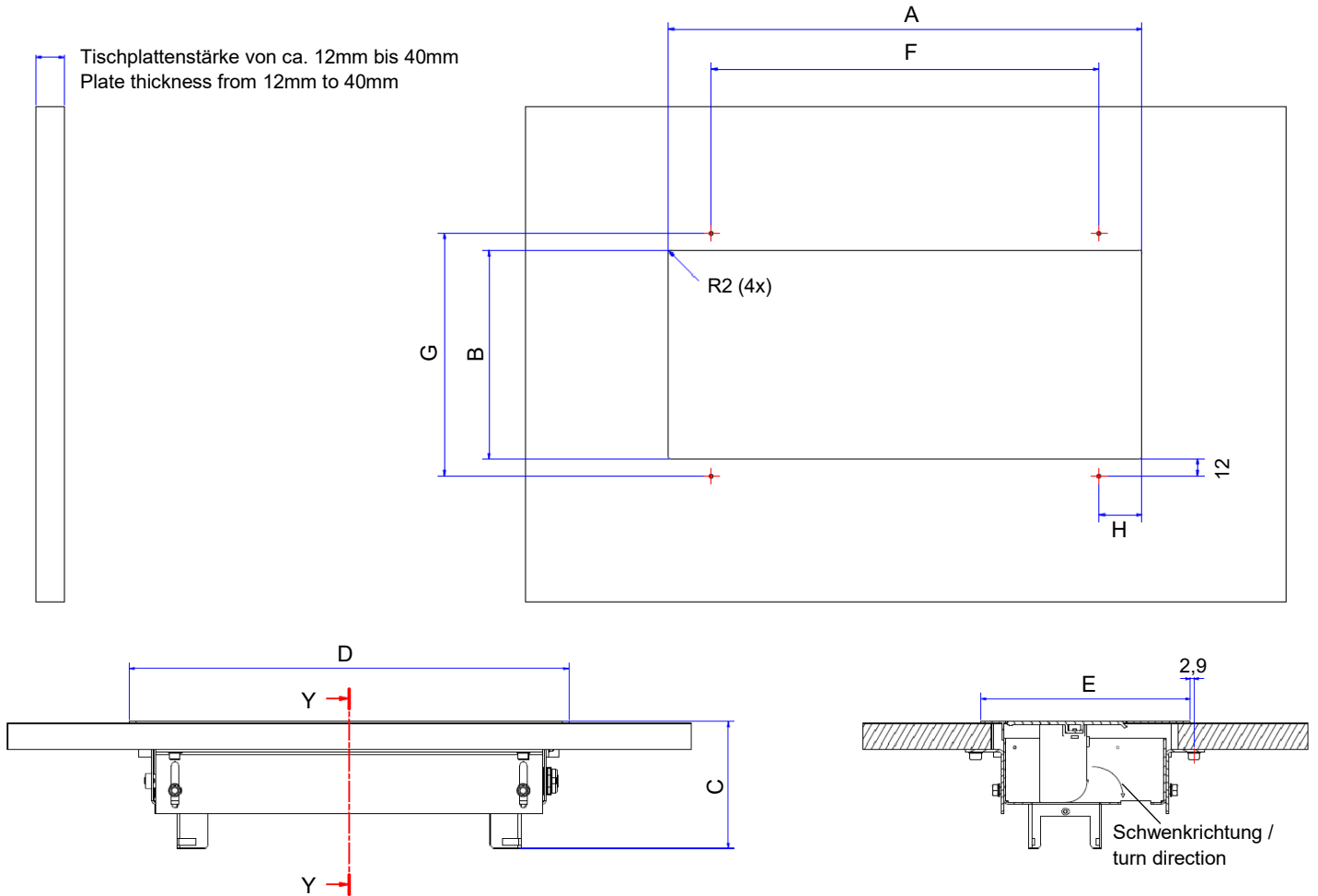


2.



3.





Tisch-Ausschnittmaße / Table cut-out dimensions

Asymmetrisch / asymmetrical	A	B	C	D	E	F	G	H
4-fach / 4-way	330mm	145mm	ca. 110,00mm	340,5mm	162mm	270mm	169mm	30mm
8-fach / 4-way	512,5mm	145mm	ca. 110,00mm	523mm	162mm	270mm	169mm	121,25mm
Symmetrisch / symmetrical								
4-fach / 4-way	330mm	145mm	ca. 110,00mm	400,5mm	192mm	270mm	169mm	30mm
8-fach / 8-way	512,5mm	145mm	ca. 110,00mm	583mm	192mm	270mm	169mm	121,25mm

Achtung: Toleranz für alle A-/B-Maße = + 0,50mm
Attention: Tolerance for all A-/B-dimensions = + 0,50mm

Ausschnitt für flächenbündige
Version dem Produkt anpassen
Eckenradius 5mm

Adapt table section to product for
flush-mounted version
radius 5mm